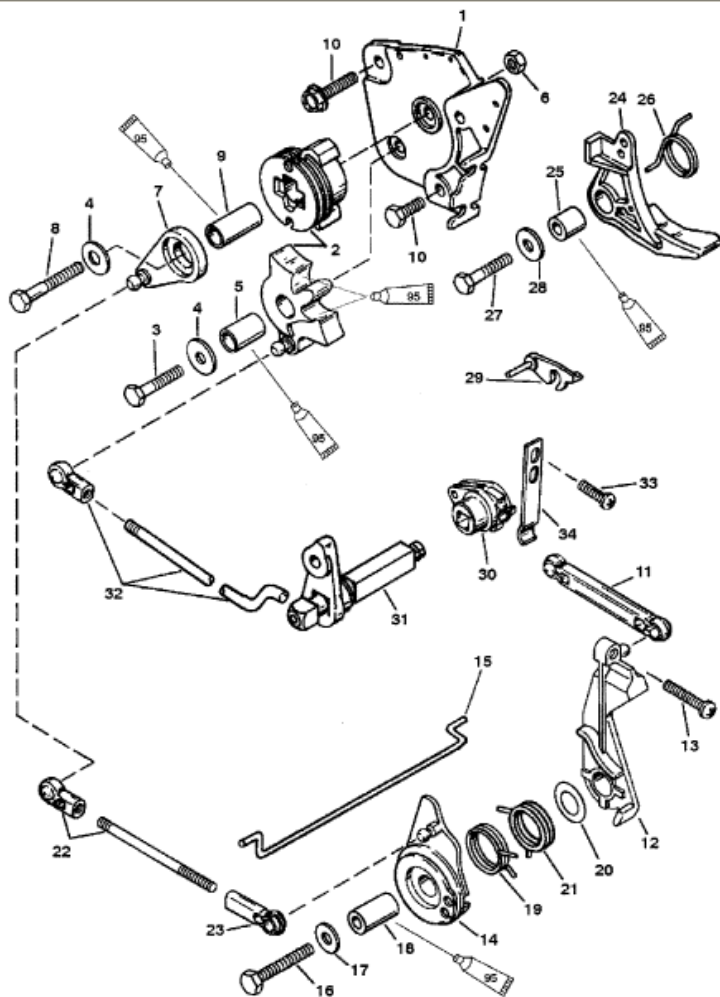


Parts List



95 2-4-C With Teflon (92-825-407A12)

21952

| Ref | Class | Part | Description | Qty | Comment | Footnote |
|-----|-------|-----------|-----------------------------|-----|---------|----------|
| 1 | | 42148 1 | CONTROL PLATFORM | 1 | | |
| 2 | | 94085A 1 | GEAR | 1 | | |
| 3 | 10 | 826650 | SCREW, (M6 x 30) | 1 | | |
| 4 | 12 | 40023 16 | WASHER | 2 | | |
| 5 | 23 | 42149 | SPACER (SHORT) | 1 | | |
| 6 | 11 | 40021 2 | NUT, (M6) | 2 | | |
| 7 | | 42151 | PRIMARY LEVER | 1 | | |
| 8 | 10 | 40003 33 | SCREW, (M6 x 40) | 1 | | |
| 9 | 23 | 42150 | SPACER (LONG) | 1 | | |
| 10 | 10 | 40001 71 | SCREW, (M6 x 16) | 2 | | |
| 11 | | 42167 1 | TIMING LINK | 1 | | |
| 12 | | 42163 1 | CONTROL LEVER | 1 | | |
| 13 | 10 | 40019111 | SCREW, (M5 x 35) | 1 | | |
| 14 | | 42166 2 | ACTUATOR | 1 | | |
| 15 | | 42161 | LINK INTERLOCK | 1 | | |
| 16 | 10 | 40003 33 | SCREW, (M6 x 40) | 1 | | |
| 17 | 12 | 69056 | WASHER, (.255 x .620 x .03) | 1 | | |
| 18 | 23 | 42162 1 | BUSHING | 1 | | |
| 19 | 24 | 42164 | SPRING | 1 | | |
| 20 | 13 | 69708 | WAVE WASHER | 1 | | |
| 21 | 24 | 13676 | SPRING | 1 | | |
| 22 | | 19385A 1 | THROTTLE LINK | 1 | | |
| 23 | | 19384 | SOCKET | 1 | | |
| 24 | | 42159 2 | LEVER | 1 | | |
| 25 | 23 | 42158 1 | BUSHING | 1 | | |
| 26 | 24 | 42160 | SPRING | 1 | | |
| 27 | 10 | 40003 31 | SCREW, (M6 x 30) | 1 | | |
| 28 | 12 | 69056 | WASHER, (.255 x .620 x .03) | 1 | | |
| 29 | | 42156 | LEVER | 1 | | |
| 30 | | 42153 | LEVER | 1 | | |
| 31 | | 815550 1 | SHIFT SHAFT | 1 | | |
| 32 | | 815567A 1 | SHIFT LINK | 1 | | |
| 33 | 10 | 40001 1 | SCREW, (M5 x 8) | 2 | | |
| 34 | 24 | 39627 | SPRING | 1 | | |